

# Palm grip B9



The palm grip B9 has different equipment options for many requirements. It is compatible with our multi-axis controller or mounted on hydraulic drives. The palm grip has a highly flexible single wire (0,1mm<sup>2</sup>, 450mm long). The mounting piece for the drive rod can be supplied with a tapped hole 12mm (standard) or 10mm.



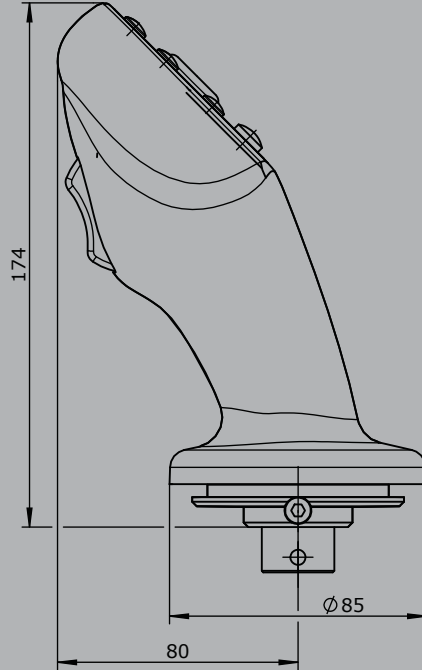
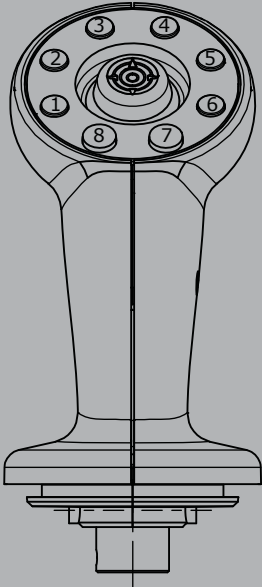
## Technical data

Operating temperature	-40°C to +60°C
Degree of protection	IP65
Contact complement	1,5A 24V DC13

		B9	- 2D	KT	A13	PA11	PA13	- X
<b>Basic unit</b>								
B9	Palm grip							
<b>Digital actuating element</b>								
D	Push button Colour: red, black, yellow, green, blue, white							
KT	Cross switch T-0-T/T-0-T							
KR	Cross switch R-0-R/R-0-R							
A11	Rocker switch T-0-T Pos. 11+12							
A11	Rocker switch R-0-R Pos. 11+12							
A13	Rotary grip T-0-T							
<b>Analog actuating element</b>								
V21	Hall-minijoystick (see page 61) Output 0,5...2,5...4,5V inverse dual							
PA11	Rocker analog Pos. 11+12 Potentiometer T394 2x5kOhm with direction contacts							
H11	Rocker analog Pos. 11+12 Hall-Potentiometer Output 0,5...2,5...4,5V inverse dual							
PA13	Rotary grip Potentiometer T375 2x5kOhm with direction contacts							
H13	Hall-Rotary grip Output 0,5...2,5...4,5V inverse dual							
<b>Special model</b>								
X	Special / customer specified							
<b>Attachments</b>								
Z01	Bellow KMD 109					10300009		
Z02	Bellow KMD 190					10300093		
Z03	Rosette KBF 905 with 4 screws M5x15 necessary for bellow KMD 190					5209900404		

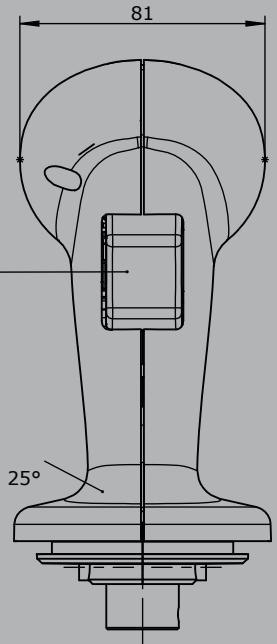
**B9**

Edition :  
Push button installed Pos. 1 - 8  
Cross switch tast



Rocker PA11, A11,H11  
Direction 11-12

Twist grip PA13,H13  
Direction 13-14  
Actuating by rotating  $\pm 25^\circ$



Edition :  
Push button installed Pos. 1 - 8  
Multi-axis controller V21

