

Multi-axis controller V22



The multi-axis controller V22 is a robust switching device for remote control. The multi-axis controller is resistant to oil, maritime conditions e.g. offshore / vessels, UV radiation typically from the sun.

Technical data

Mechanical life V22	3 million operating cycles
Operation temperature	-40°C to +60°C
Degree of protection	IP65

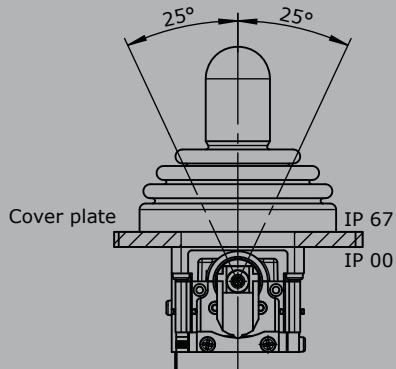


1

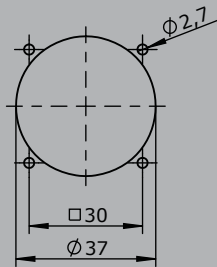
		Example				
		V22A	- P	D	- E10321	- X
Basic unit						
V22.1A	1-axis with spring return, installation from below					
V22A	2-axis with spring return, installation from below					
V22.1B	1-axis with spring return, installation from top					
V22B	2-axis with spring return, installation from top					
Gate						
P	Cross gate					
P X	Special gate					
Grip						
	Knob (standard)					
D	Push button					
GS9	Hall-twist grip with spring return					
GS9-D	Hall-twist grip with spring return and push button on top					
Interface						
E103	1 <input type="checkbox"/>	Voltage output				
	2 <input type="checkbox"/>	0,5...2,5...4,5V redundant at Ub=5V		1 axis		
				2 axis		
Characteristic: <input type="checkbox"/> = Inverse dual, <input type="checkbox"/> = Dual						
Special model						
X	Special / customer specified					
Attachments						
Mating connector JST 8-pole				5300000260		
Mating connector JST 8-pole with single wire 500mm long				5300000261		

V22A

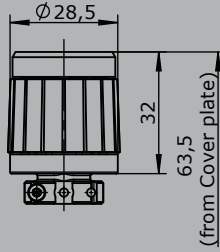
Installed from below



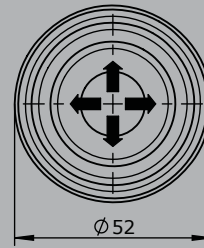
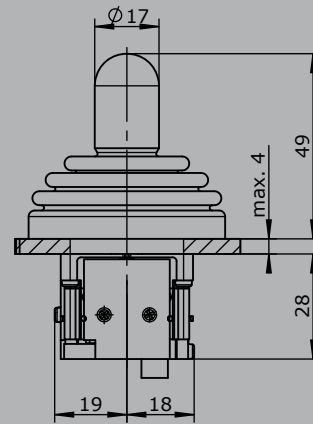
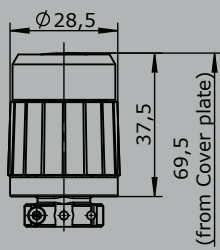
Hole pattern
(installed from below)



Twist grip

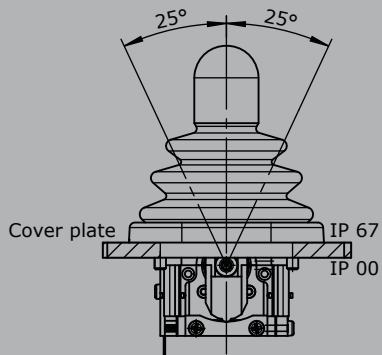


Twist grip
with Push button



V22B

Installed from the top



Hole pattern
(installed from the top)

