

Single-axis controller S3



The single-axis control S3 is a rugged switching device for hoisting applications. The modular design enables the switching device to be used universally. The single-axis controller is resistant to oil, maritime conditions e.g. offshore /vessels, UV radiation typically from the sun.



1

Technical data

Mechanical life S3	12 million operating cycles
Operating temperature	-40°C to +60°C
Degree of protection	IP66 front

	S3L	S5	Q	- 2 R P	- B	- A05 P484	- E1291	- S...	- X
Basic unit	<div style="text-align: center; margin-bottom: 10px;"><i>Example</i></div> <div style="text-align: center; margin-bottom: 10px;">S3L S5 Q - 2 R P - B - A05 P484 - E1291 - S... - X</div>								
S3L Single-axis controller left									
Control-handle extended									
S5 -20mm									
Grip- control-handle left									
Q T-grip									
Axis 1									
2 2 contacts (1,5A 24V DC13)									
R Friction brake									
P Potentiometer									
Cover housing									
B Cover housing									
Description axis 1 (direction 1-2)									
A05 Arrangement MSP21									
P484 Potentiometer T318 2x5kOhm									
Interface									
E1291 Voltage output 0...5...10V									
Plug connectors									
S.. Standard plug connectors (see page 129)									
Special model									
X Special / customer specified									

Single-axis controller S3

S3L S5 Q - 2 R P - B - A05 P484 - E1291 - S... - X

Basic unit

S3L	Single-axis controller, control-handle left
S3R	Single-axis controller, control-handle right

Control-handle extended*

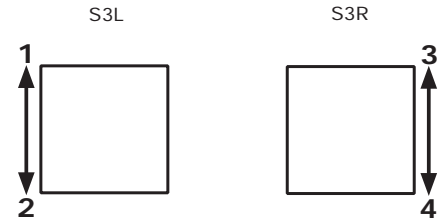
	Standard 148mm
S5	-20mm
S8	+20mm

*Only possible in combination with handle!

Grip

	Knob
D	Push button
Q	T-grip
QD	T-grip with push button side

Identification of the installation variants with switching directions:



S3L S5 Q - 2 R P - B - A05 P484 - E1291 - S... - X

Axis 1: direction 1-2 left

1	1 contact	Standard contact - arrangement see page 131	
2	2 contacts	z. B.	
3	3 contacts	A98	
		A05	
		A050	
		A99 contact - arrangement according customer request	
R	Friction brake		
(P)	Possibility of mounting potentiometer and encoder (Gessmann-types)		
P	Potentiometer	P484	T318 2x5kOhm I max. 1mA
			More potentiometers on request!
H	Hall-Potentiometer	E10311	0,5...2,5...4,5V / 4,5...2,5...0,5V

S3L S5 Q - 2 R P - B - A05 P484 - E1291 - S... - X

Cover housing

B	Cover housing
---	---------------

Interface (description on the following pages)

	Potentiometer output
E1xx	Voltage output
E2xx	Current output

Special model

X	Special / customer specified
---	------------------------------

Voltage output

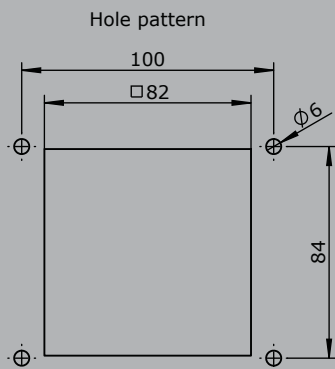
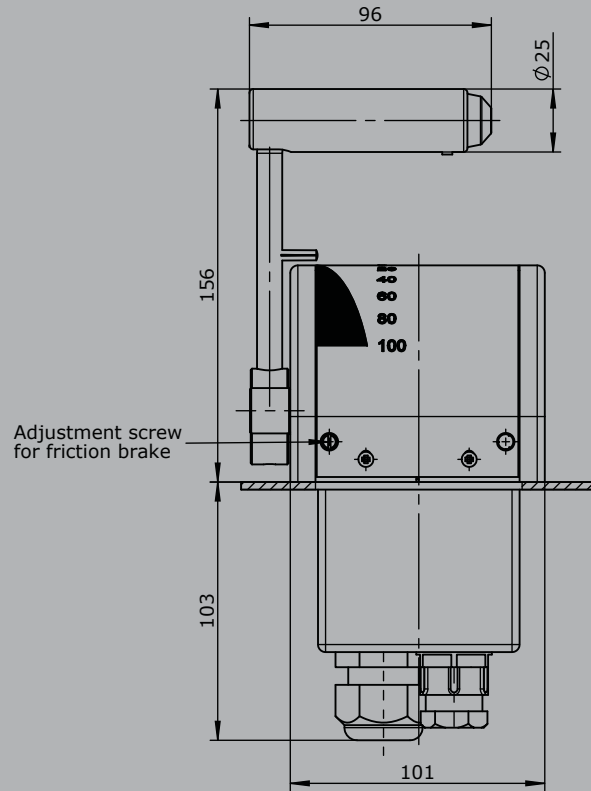
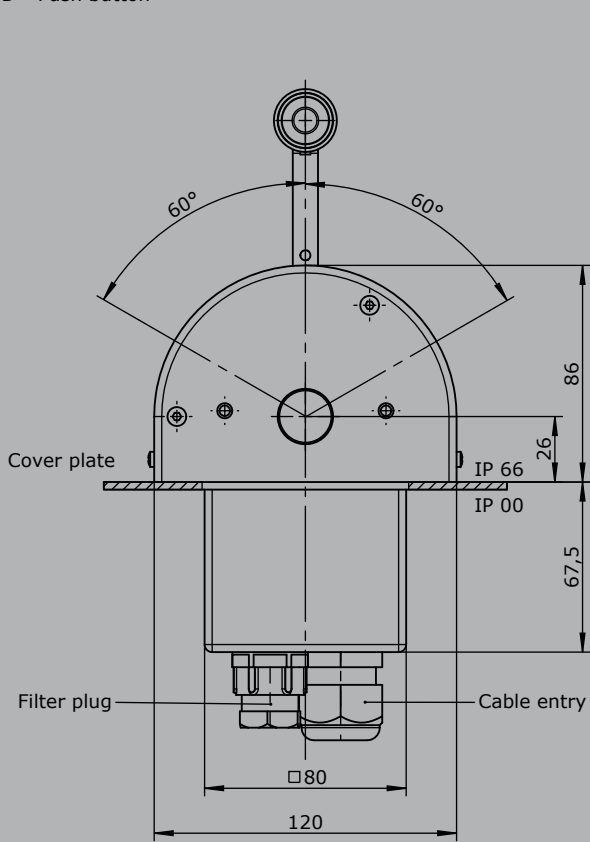
Supply voltage	11,5-32V DC	
Wiring	Cable 500mm long without plug connector	
	Optional with plug connector (<i>standard plug connectors see page 129</i>)	
...5...10V per axis	1 axis	E112 1
10...0...10V per axis	1 axis	E132 1
-10...0...+10V per axis	1 axis	E136 1
<i>Voltage output with other value on request!</i>		

Current output

Supply voltage	18-36V DC	
Wiring	Cable 500mm long without plug connector	
	Optional with plug connector (<i>standard plug connectors see page 129</i>)	
4...12...20mA per axis	1 axis	E209 1
20...4...20mA per axis	1 axis	E217 1

Single-axis controller S3

T - grip
D = Push button



Knob solid
D = Push button

