

Control switch N9



The control-switch N9 is a rugged switching device for hoisting applications. The modular design enables the switching device to be used universally.

Technical data

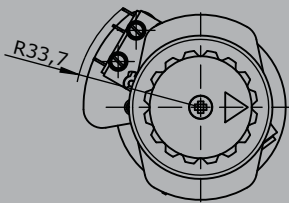
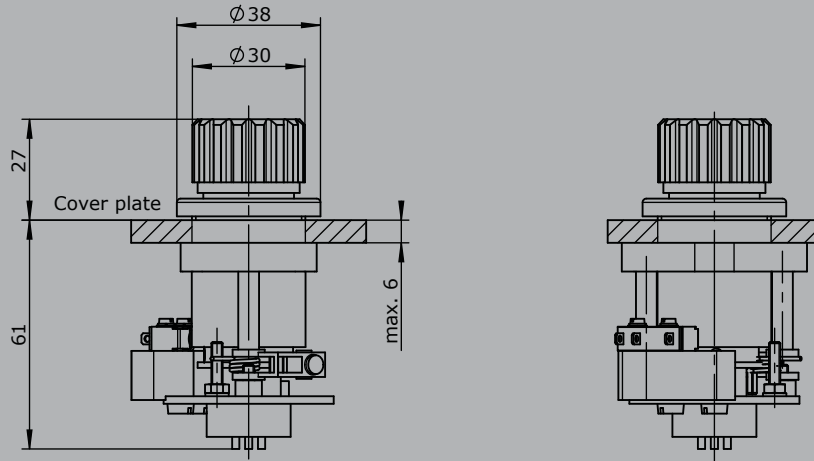
Mechanical life N9	10 million operating cycles
Operating temperature	-40°C to +60°C
Degree of protection	IP54



1

	N9	Example - 2 R P	- A05	P134	- X
Basic unit					
N9	Control switch with twist grip				
Axis 1: direction 3-4					
1	1 contact	Standard contact - arrangement see page 131			
2	2 contacts	z.B. A98 MS0 A05 MS21 <i>A99 contacts - arrangement according customer request</i>			
R	Friction brake (included in basic unit)				
(P)	Possibility of mounting potentiometer and encoder (Gessmann-types)				
P	Potentiometer	P131	T396 2x0,5kOhm	I max. 1mA	
		P132	T396 2x1kOhm	I max. 1mA	
		P133	T396 2x2kOhm	I max. 1mA	
		P134	T396 2x5kOhm	I max. 1mA	
		P135	T396 2x10kOhm	I max. 1mA	
		<i>More potentiometers on request!</i>			
H	Hall-Potentiometer	E10311	0,5...2,5...4,5V / 4,5...2,5...0,5V		
Special model					
X	Special / customer specified				

Control switch N9



Hole pattern

