

Crane control unit

KST 6 swiveling



The KST 6 is an ergonomically designed swiveling crane control chair which provides a high degree of comfort.

Equipment boxes:

The sheet steel equipment boxes are vertically and horizontally adjustable. The arrangement of the joysticks, indicators and control devices is customised according to customer specifications. Cabling is carried out through a cross-member in the traverse. (Terminal block)

Driver seat:

As standard the KST 6 is fitted with a KFS 11 seat. The seat itself is fitted with a hydraulic vibration absorption system complete with weight adjustment to ensure that the comfort level is fitted with armrests and a headrest. There is the option to have the seat covered with air-permeable artificial leather.

Cross-member with swivel base:

The cover of the sheet steel cross-member including the driver's seat is forward foldable.

Thereby all wirings, terminals and bushings are easily accessible during commissioning and maintenance.

Swivel base has zero-clearance bearing and can be locked by a friction brake.

Surface treatment:

Base coat and textured varnish
Standard colour RAL 9011 black



Example

KST 6 - 3 - M1 - F1 - LK / KFS 11 / V64 / V64.1 / KL / X

Basic unit

KST 6 With equipment boxes

Base unit

- 1 Swiveling 180° left, 90° right with friction brake
- 2 Electric swiveling 180° left, 90° right
- 3 Non swiveling
- 4 Without base frame

Attachments

- M1 Monitor mounting with monitor housing
- M2 Monitor mounting with monitor mounting bracket
- M3 Monitor mounting without monitor housing/-mounting bracket
- F1 Footrest KBF/433
- H Heater 2x2kW with ventilator
- LK Plate for horizontal manual adjustment for control units +/- 250mm

Driver seat

- KFS 11* (Included in the delivery!)
- KFS 9*
- KFS 10*
- KFS 12*

*Description see driver seat page 221

Crane control unit

KST 6 swiveling

KST 6 - 3 - M1 - F1 - LK / KFS 11 / V64 / V64.1 / KL / X

Mounting for equipment boxes

V...	Multi-axis controller (see page 1)
S...	Single-axis controller (see page 86)
D...	Double-handle controller (see page 63)
N...	Control-switch (see page 124)
...	More command and indicating devices (see page 188)

Wiring

KL	Without, but terminal block built each terminal
KLV	On terminal block 4mm ² with single wire 1mm ² each terminal
KLV	On SPS (SPS provision) with single wire 1mm ² each terminal
KLVA	External wiring single wire highly flexible 1,5mm ² 5m long each terminal

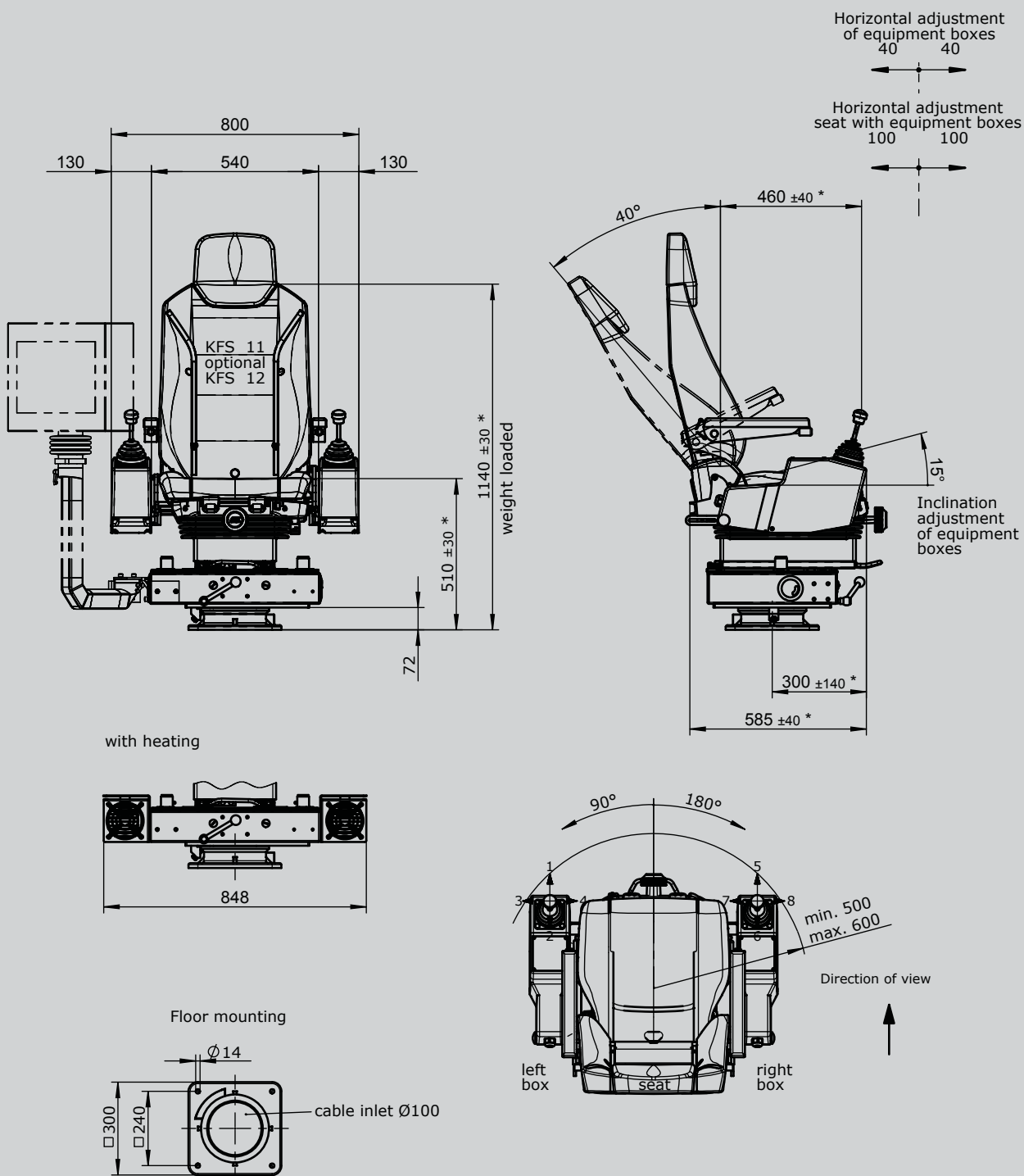
Special model

X	Special / customer specified
X ¹	Special painted

Option

Radio remote control system

Crane control unit KST 6 swiveling



* adjustable