

# Crane control unit KST 19 swiveling



The KST 19 is an ergonomically designed swiveling crane control chair which provides a high degree of comfort.

#### Equipment boxes:

The equipment boxes are vertically and horizontally adjustable. The arrangement of the joysticks, indicators and control devices is customised according to customer specifications. Cabling is carried out through a cross-member in the traverse. (Terminal block)

#### Driver seat:

As standard the KST 19 is fitted with a KFS 10 seat. The seat itself is fitted with a pneumatic vibration absorption system complete with weight adjustment to ensure that the comfort level is fitted with arm-rests and a headrest. There is the option to have the seat covered with air-permeable artificial leather.

#### Cross-member with swivel base:

The cover of the sheet steel cross-member including the driver's seat is forward foldable.

Thereby all wirings, terminals and bushings are easily accessible during commissioning and maintenance.

Swivel base has zero-clearance bearing and can be locked by a friction brake.

#### Surface treatment:

Base coat and textured varnish  
Standard colour RAL 7035 light grey



Example

	KST 19	- 1	- M1	- F1	- LK	/	KFS 10	/	V64	/	V64.1	/	KL	/	X
<b>Basic unit</b>															
KST 19 With equipment boxes															
<b>Base unit</b>															
1 Swiveling 180° left, 90° right with friction brake															
2 Non swiveling															
<b>Attachments</b>															
M1 Monitor mounting with monitor housing															
M2 Monitor mounting with monitor mounting bracket															
M3 Monitor mounting without monitor housing/ -mounting bracket															
M4 Monitor mounting (Monitor < 5kg) with monitor housing															
M5 Monitor mounting (Monitor < 5kg) with mounting adapter															
F1 Footrest version 1 KBF/433															
H Heater 2x2kW with ventilator															
LK Plate for horizontal manual adjustment for control units +/- 250mm															
<b>Driver seat</b>															
KFS 10* (Included in the delivery!)															
*Description see driver seat page 223															

# Crane control unit

## KST 19 swiveling

KST19 - 1 - M1 - F1 - LK / KFS10 / V64 / V64.1 / KL / X

### Mounting for equipment boxes

- V... Multi-axis controller (see page 1)
- S... Single-axis controller (see page 86)
- D... Double-handle controller (see page 63)
- N... Control-switch (see page 124)
- ... More command and indicating devices (see page 188)

### Wiring

- KL Without wiring, but terminal block built in each terminal
- KLV On terminal block 4mm<sup>2</sup> with single wire 1mm<sup>2</sup> each terminal
- KLV On SPS (SPS provision) with single wire 1mm<sup>2</sup> each terminal
- KLVA External wiring single wire highly flexible 1,5mm<sup>2</sup> 5m long each terminal

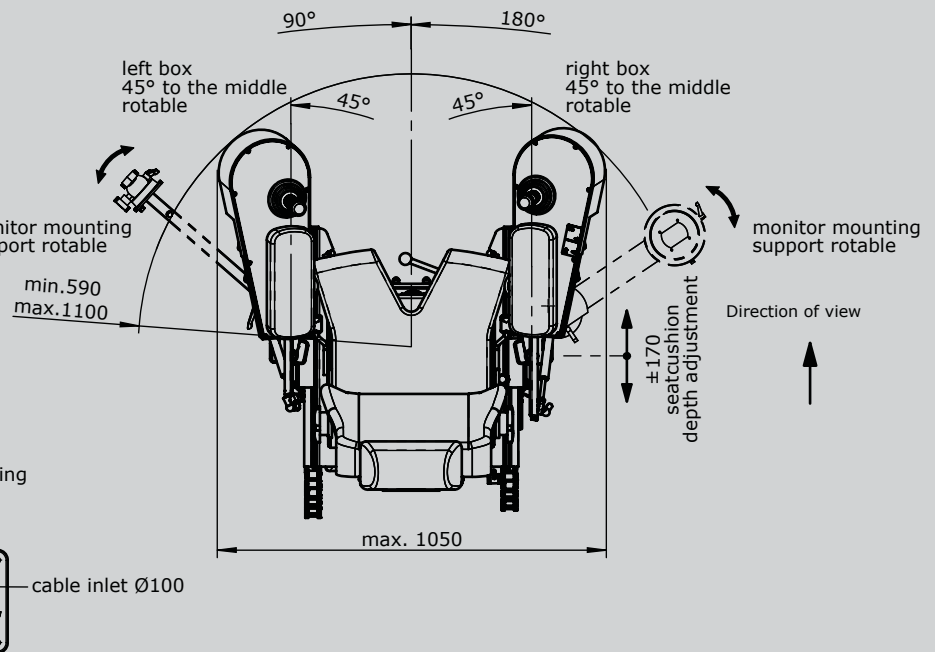
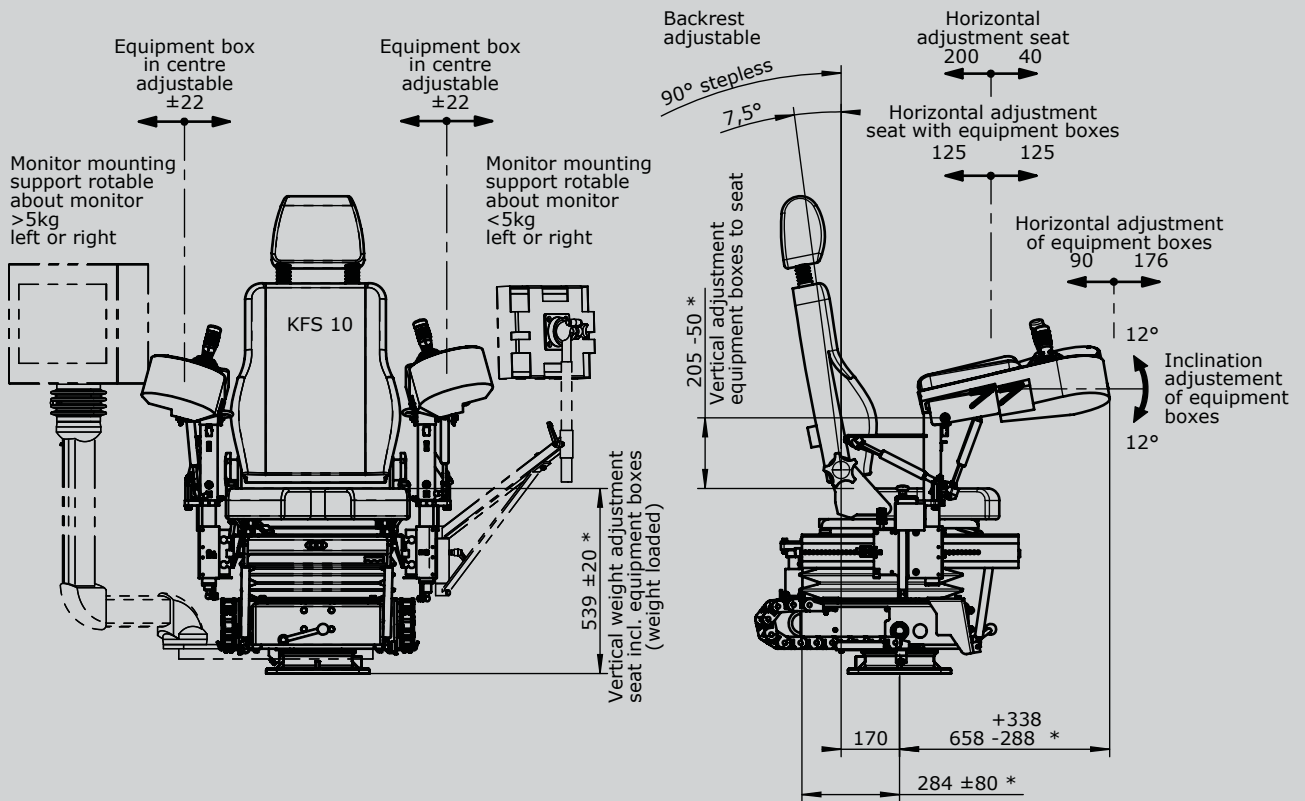
### Special model

- X Special / customer specified
- X<sup>1</sup> Special painted

### Option

- Radio remote control system

# Crane control unit KST 19 swiveling



\* adjustable