

# Palm grip B23



The palm grip B23 has different equipment options for many requirements. It is compatible with our multi-axis controller or mounted on hydraulic drives. The palm grip has a highly flexible single wire (0,1mm<sup>2</sup>, 450mm long). The mounting piece for the drive rod can be supplied with a tapped hole 12mm (standard) or 10mm.



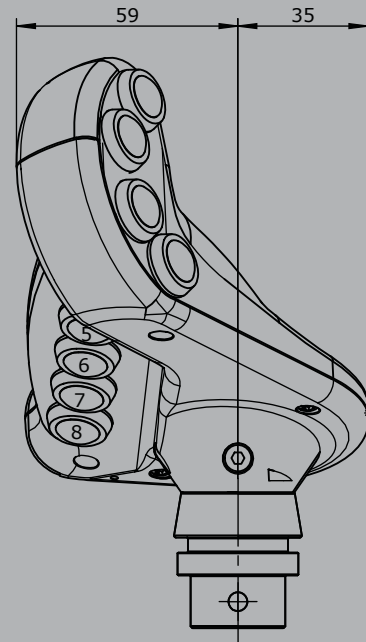
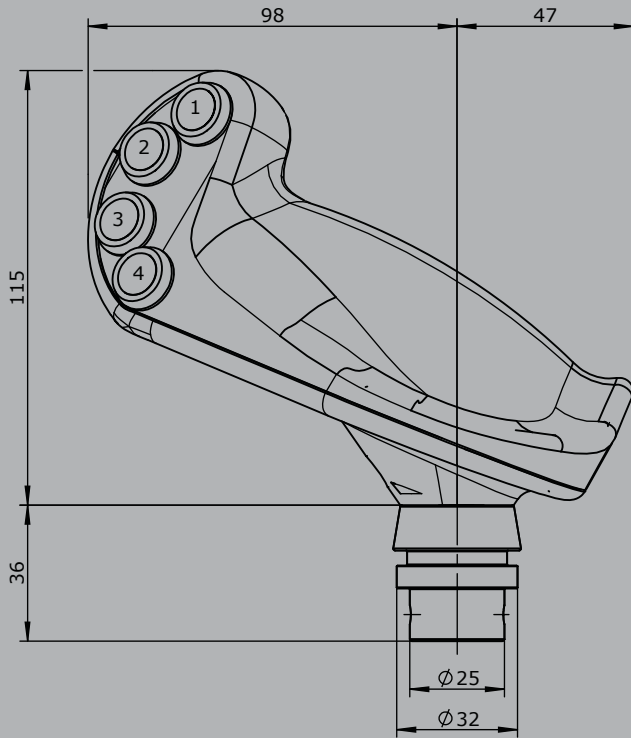
## Technical data

Operating temperature	-40°C to +60°C
Degree of protection	IP65
Contact complement	1,5A 24V DC13 (*1 0,1A 24V DC13)

	B23R	- 2D	W	V21	- X
<b>Basic unit</b>					
B23L	Palm grip left				
B23R	Palm grip right				
<b>Digital actuating element</b>					
D	Push button KDA21 *1				
	Colour: red, black, yellow, green, blue, white, orange				
W	Rocker switch T-0-T				
W	Rocker switch 0-T				
W	Rocker switch R-0-T				
W	Rocker switch R-0-R				
W	Rocker switch 0-R				
W	Rocker switch R-R				
<b>Analog actuating element</b>					
S12	Hall-Thumb rocker (see page 122)				
	Output 0,5...2,5...4,5V inverse dual				
V21	Hall-minijoystick (see page 61)				
	Output 0,5...2,5...4,5V inverse dual				
<b>Special model</b>					
X	Special / customer specified				

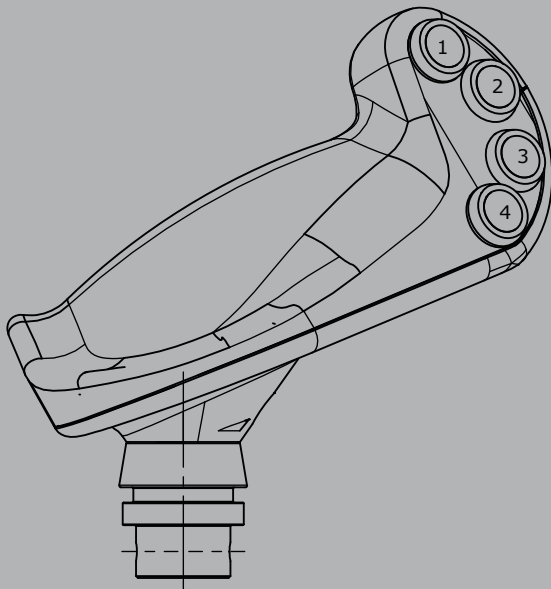
### B23R

Push button installed Pos. 1 - 8



### B23L

Push button installed Pos. 1 - 8



Edition :  
Multi-axis controller V21  
Push button installed Pos. 5,6,7,8

