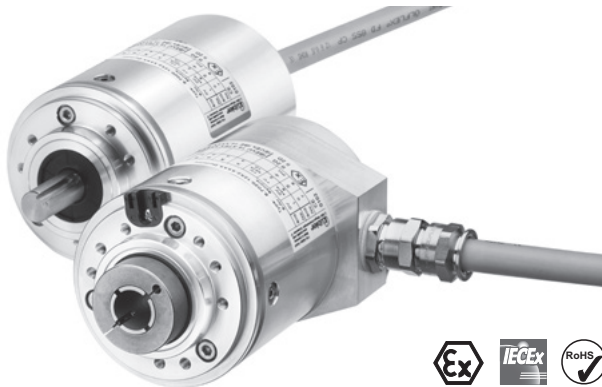


Absolute encoders - singleturn

Standard, ATEX/IECEX – mining optical	Sendix 7158 / 7178 (shaft / hollow shaft)	PROFIBUS DP
--	--	--------------------



The Sendix 7158 / 7178 absolute singleturn encoders in a compact 70 mm stainless-steel housing, with a PROFIBUS interface and optical sensor technology have an ATEX/IECEX mining approval.

These shock and vibration-resistant encoders operate flexibly with a resolution of up to 16 bits; they are also available with axial and radial cable outlets.



Absolute encoders
singleturn

Ex approval	Safety-Lock™	High rotational speed	High protection level	High shaft load capacity	Shock / vibration resistant	Magnetic field proof	Short-circuit proof	Reverse polarity protection	Optical sensor

Compact and safe

- Can be used even when space is tight.
- Minimal installation depth, diameter 70 mm.
- Compact cable outlet axial or radial.
- Remains sealed even in harsh everyday use and ensures highest safety against field breakdowns (IP67 protection).

Explosion protection

- Mining approval.
- “Flame-proof enclosure” construction.
- ATEX with EC type examination certificate.
- IECEx with certificate of conformity (CoC).

Order code	8.7158	. 2 X 3 X .	31 11 .	XXXX
Shaft version	Type	a b c d	e	f ¹⁾
a Flange	2 = clamping / synchronous flange, IP67, ø 70 mm [2.76"]	d Type of connection		f Cable length in dm ¹⁾
b Shaft (ø x L)	2 = 10 x 20 mm [0.39 x 0.79"], with flat 1 = 12 x 25 mm [0.47 x 0.98"], with keyway for 4 x 4 mm [0.16 x 0.16"] key	1 = axial cable, 2 m [6.56'] PUR 2 = radial cable, 2 m [6.56'] PUR A = axial cable, length > 2 m [6.56'] B = radial cable, length > 2 m [6.56']		0050 = 5 m [16.40'] 0100 = 10 m [32.81'] 0150 = 15 m [49.21']
c Interface / power supply	3 = PROFIBUS DP V0 / 10 ... 30 V DC	e Fieldbus profile		Optional on request - special cable length
		31 = PROFIBUS DP V0 encoder profile class 2		

Order code	8.7178	. X X 3 X .	31 11 .	XXXX
Hollow shaft	Type	a b c d	e	f ¹⁾
a Flange	2 = with spring element, short 6 = with stator coupling, IP67, ø 65 mm [2.56"]	d Type of connection		f Cable length in dm ¹⁾
b Blind hollow shaft (insertion depth max. 41.5 mm [1.63"])	1 = ø 12 mm [0.47"] 2 = ø 14 mm [0.55"]	1 = axial cable, 2 m [6.56'] PUR 2 = radial cable, 2 m [6.56'] PUR A = axial cable, length > 2 m [6.56'] B = radial cable, length > 2 m [6.56']		0050 = 5 m [16.40'] 0100 = 10 m [32.81'] 0150 = 15 m [49.21']
c Interface / power supply	3 = PROFIBUS DP V0 / 10 ... 30 V DC	e Fieldbus profile		Optional on request - special cable length
		31 = PROFIBUS DP V0 encoder profile class 2		

1) Not applicable with connection types 1 and 2.

Absolute encoders - singleturn

Standard, ATEX/IECEX – mining optical	Sendix 7158 / 7178 (shaft / hollow shaft)	PROFIBUS DP
--	--	--------------------

Technical data

Explosion protection 7158	
ATEX	
EC type-examination certificate	IBExU 14 ATEX 1047 X
Category	I M2 Ex d I/IIC T4 - T6 Mb
Relevant standards	EN 60079-0:2012; ATEX guideline 94/9/EC EN 60079-1:2007
IECEX	
Certificate of Conformity (CoC)	IECEX IBE 14.0023 X
Category	Ex d I/IIC T4 - T6 Mb
Relevant standards	IEC 60079-0:2011; IEC 60079-1:2007

Explosion protection 7178	
ATEX	
EU type-examination certificate	IBExU 15 ATEX 1057 X
Category	I M2 Ex db I/IIC T4/120°C (T4)/T6 Mb
Relevant standards	EN 60079-0:2012 + A11:2013; ATEX guideline 2014/34/EU EN 60079-1:2014
IECEX	
Certificate of Conformity (CoC)	IECEX IBE 15.0019 X
Category	Ex db I/IIC T4/120°C (T4)/T6 Mb
Relevant standards	IEC 60079-0:2011; IEC 60079-1:2014

Mechanical characteristics	
Maximum speed	shaft 6000 min ⁻¹ (continuous) hollow shaft 3000 min ⁻¹ (continuous)
Starting torque – at 20°C [68°F]	< 0.05 Nm
Mass moment of inertia	4.0 x 10 ⁻⁶ kgm ²
Load capacity of shaft	radial 80 N axial 40 N
Weight	approx. 2.8 kg [98.77 oz]
Protection acc. to EN 60529	IP67
Ambient temperature	-40°C ... +60°C [-40 ... +140°F] Please note the specifications for temperature class in EC type-examination certificate!
Material	shaft stainless steel flange / housing stainless steel cable PUR
Shock resistance	acc. to EN/IEC 60068-2-27 1000 m/s ² , 6 ms
Vibration resistance	acc. to EN/IEC 60068-2-6 100 m/s ² , 55 ... 2000 Hz

Electrical characteristics	
Power supply	10 ... 30 V DC
Current consumption (no load)	max. 110 mA
Reverse polarity protection for power supply	yes
CE compliant acc. to	EMC guideline 2014/30/EU RoHS guideline 2011/65/EU

EMC	
Relevant standards	EN 55011 class B:2009 / A1:2010 EN 61000-6-2:2005 / AC:2005 EN 61000-6-3:2007 / A1:2011 EN 61326-1:2013

Interface characteristics PROFIBUS DP	
Resolution	1 ... 65536 (16 bit), scalable default: 8192 (13 bit)
Code	binary
Interface	specification according to PROFIBUS DP 2.0 / standard (DIN 19245 Part 3) / RS485 driver galvanically isolated
Protocol	Profibus encoder profile V1.1 class 1 and class 2 with manufacturer-specific add-ons
Baud rate	maximum 12 Mbit/s
Device address	software controlled setting of the device address via the SSA-service with a class 2 master; default address: 125
Termination	active termination can only be switched on externally

Profibus encoder-profile V1.1

The PROFIBUS DP device profile describes the functionality of the communication and the manufacturer-specific component within the PROFIBUS fieldbus system. The encoder profile applies to encoders and defines the individual objects independently of the manufacturer. In addition, the profile makes provision for additional extended functions specific to the manufacturer. The use of PROFIBUS compatible devices ensures that the systems of today are ready to meet the demands of the future.

The following parameters can be programmed

- Direction of rotation.
- Scaling – number of steps per revolution.
- Preset value.
- Diagnostics mode.

The following functionality is integrated

- Galvanic isolation of the bus stage with DC/DC converter.
- Line driver acc. to RS485 max. 12 MB.
- Full class 1 and class 2 functionality.
- Speed value.

Terminal assignment

Interface	Type of connection	Cable (isolate unused wires individually before initial start-up)								
		Signal:	0 V	+V	PB_A IN	PB_B IN	BUS_GND	BUS_VDC	PB_A OUT	PB_B OUT
3	1, 2, A, B	Signal:	0 V	+V	PB_A IN	PB_B IN	BUS_GND	BUS_VDC	PB_A OUT	PB_B OUT
		Cable marking:	1	2	4	5	6	7	8	9

Absolute encoders - singleturn

Standard, ATEX/IECEX – mining optical	Sendix 7158 / 7178 (shaft / hollow shaft)	PROFIBUS DP
--	--	--------------------

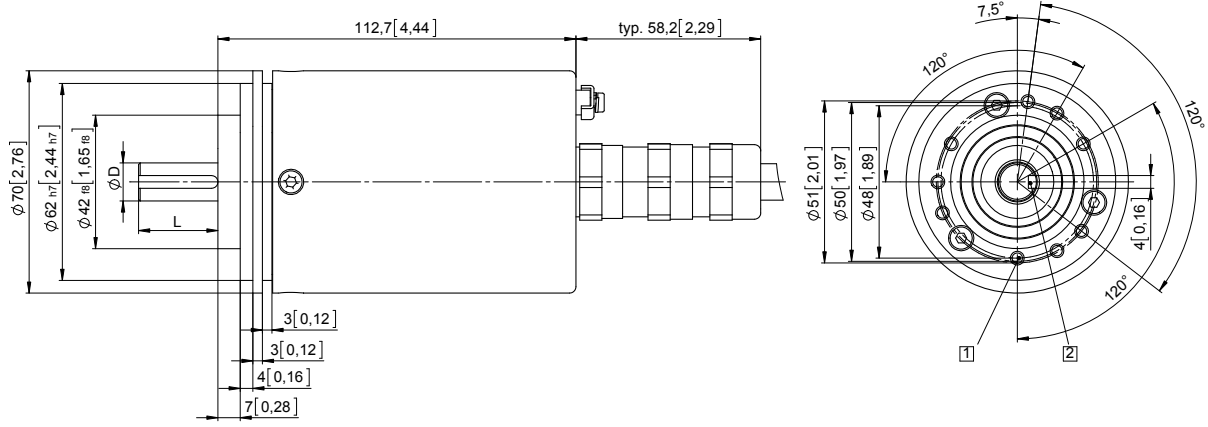
Dimensions shaft version

Dimensions in mm [inch]

Clamping / synchronous flange, \varnothing 70 [2.76]

Shaft type 1 with axial cable outlet

- 1 9 x M4, 10 [0.39] deep
- 2 Keyway for DIN 6885-A-4x4x25 key

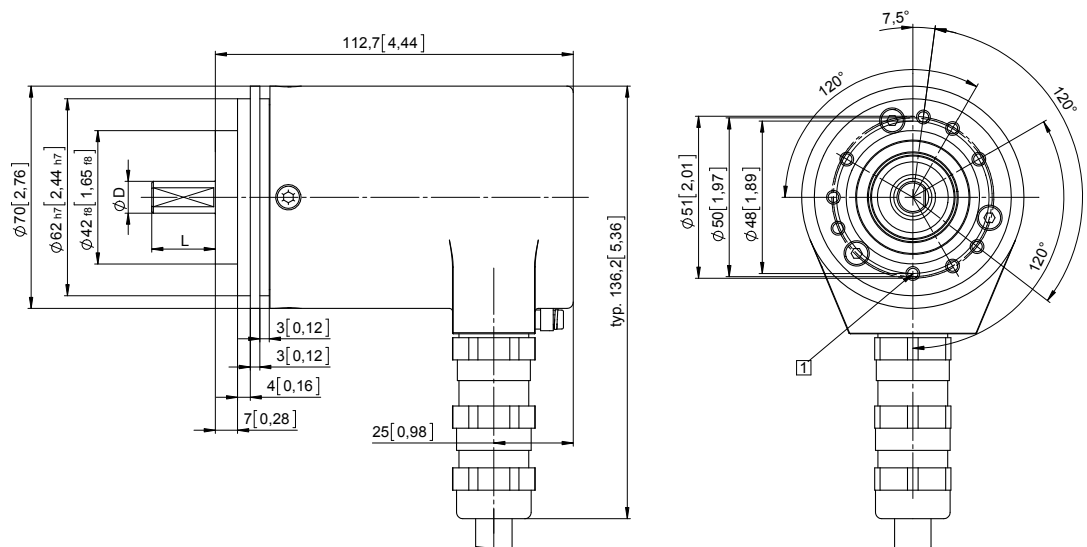


D	Fit	L
12 [0.47]	g6	25 [0.98]

Clamping / synchronous flange, \varnothing 70 [2.76]

Shaft type 2 with radial cable outlet

- 1 9 x M4, 10 [0.39] deep



D	Fit	L
10 [0.39]	f7	20 [0.79]

Absolute encoders
singleturn

Absolute encoders - singleturn

Standard, ATEX/IECEx – mining optical

Sendix 7158 / 7178 (shaft / hollow shaft)

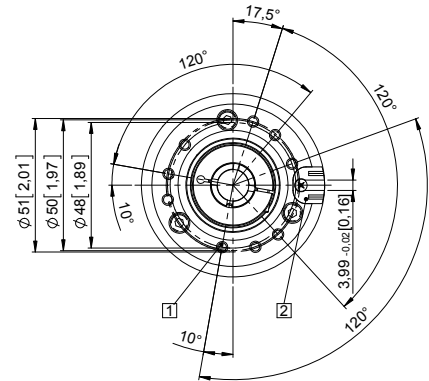
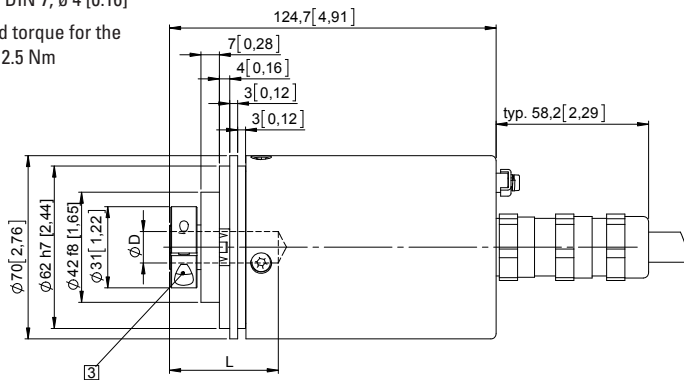
PROFIBUS DP

Dimensions hollow shaft version

Dimensions in mm [inch]

Flange with spring element, short Flange type 2

- 1 9 x M4, 10 [0.39] deep
- 2 Slot spring element, recommendation: cylindrical pin DIN 7, $\varnothing 4$ [0.16]
- 3 Recommended torque for the clamping ring 2.5 Nm



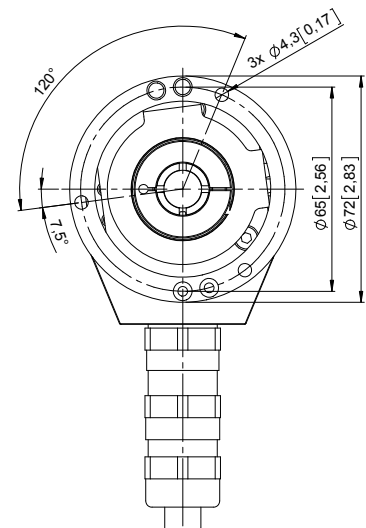
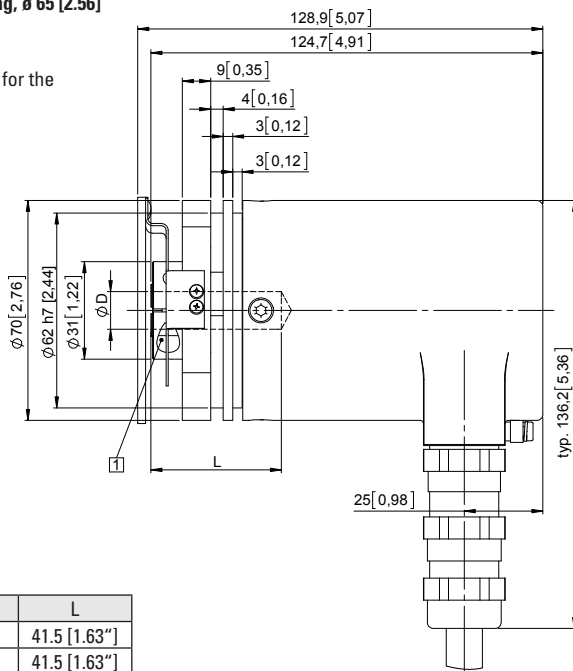
D	Fit	L
12 [0.47]	H7	41.5 [1.63"]
14 [0.55]	H7	41.5 [1.63"]

L = insertion depth max. blind hollow shaft

Flange with stator coupling, $\varnothing 65$ [2.56]

Flange type 6

- 1 Recommended torque for the clamping ring 2.5 Nm



D	Fit	L
12 [0.47]	H7	41.5 [1.63"]
14 [0.55]	H7	41.5 [1.63"]

L = insertion depth max. blind hollow shaft